

I.P.S.

***Manufacturer of
Fermenter Package***



- **Manufacturer of Fermenter Packages**





Programmable controller
Twido

05

05



Schneider Electric

Instrumenterings- & automations- **nytt**

INSTRUMENTERING OG AUTOMASJON 2011

Levingskriterier

Prosjektet og
regulering av prosessen
(prosjektet)

Instrumentering (batterier
og ledning)

Valg av ledning
systemer

Instrumenter

Medie og data
overføring
og data

Valg av ledning
systemer

Instrumentering
og ledning

Valg av ledning
systemer

Instrumentering
og ledning

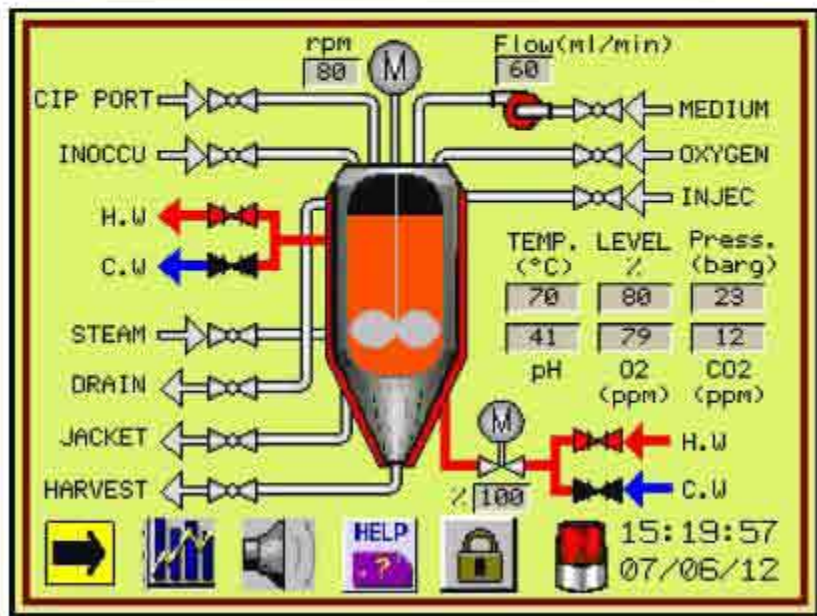
Valg av ledning
systemer

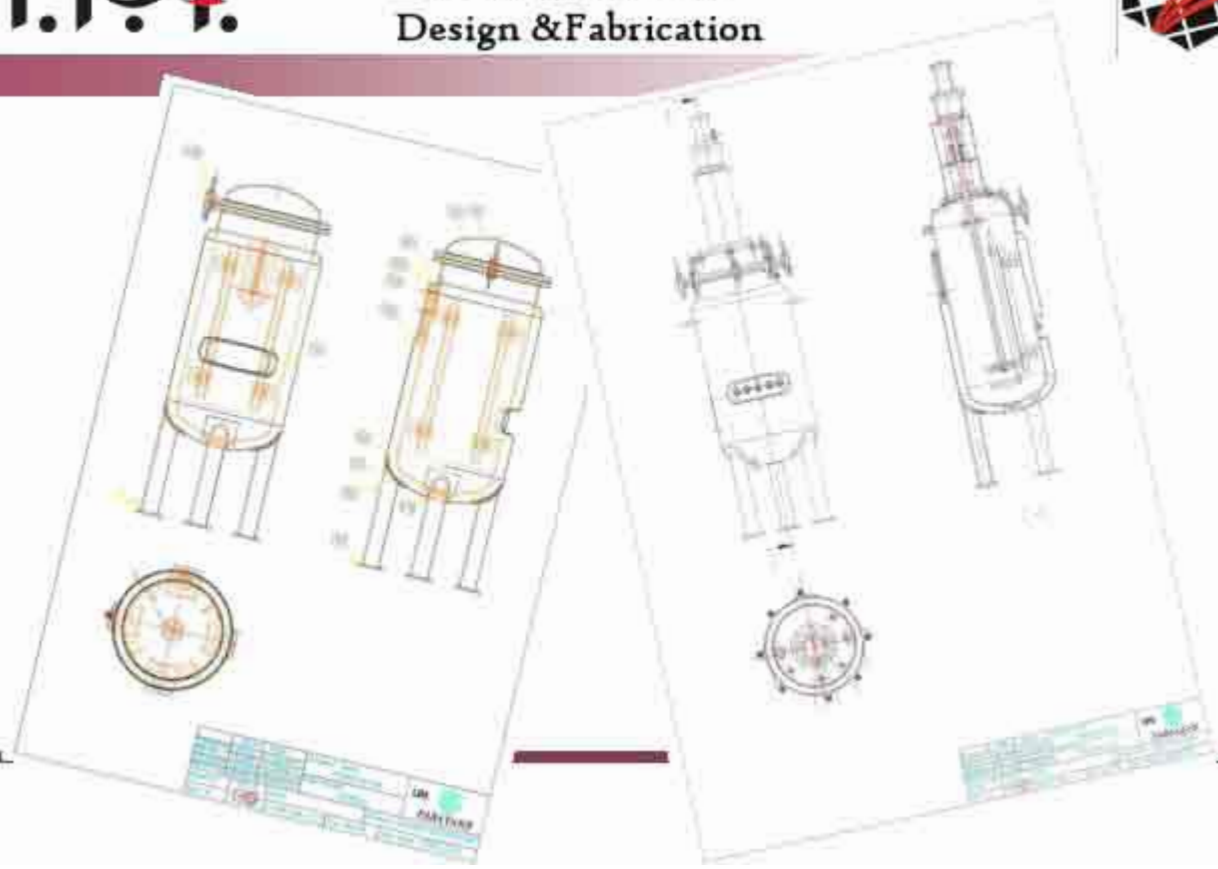
Instrumentering
og ledning

Valg av ledning
systemer

Instrumentering
og ledning











Pressure Transmitters for Food Industry and for Sterile Process Applications Model SA-11, sterile aseptic

Specifications:

- High accuracy and stability
- Inexpensive
- Easy to install
- Available in various materials

Special Features:

- Available in stainless steel and titanium
- 1/2" NPT or 1/4" NPT
- 1/2" NPT or 1/4" NPT
- 1/2" NPT or 1/4" NPT
- 1/2" NPT or 1/4" NPT

Advantages:

• High accuracy and stability

• Inexpensive

• Easy to install

• Available in various materials

• Available in stainless steel and titanium

• 1/2" NPT or 1/4" NPT

• 1/2" NPT or 1/4" NPT

• 1/2" NPT or 1/4" NPT

• 1/2" NPT or 1/4" NPT

Wika

MI Mycro SENSOR TECHNOLOGIES

Precision Measurement and Specialty Sensor Technology

MI Mycro SENSOR TECHNOLOGIES

Precision Measurement and Specialty Sensor Technology



SANITARY PRESSURE/LEVEL TRANSMITTER MODEL 871 COMPACT SIZE



2-CELL COMPENSATED
UNIVERSAL MODEL

DEVA CONTROLS DIV.



Standard Armature & Accessories

Armature
& Accessories
for Biotech



Specialist in Process Efficiency and Energy Conservation

I.P.S.



I.P.S.





INDUSTRIAL PIONEERS FARAYAND

Are you looking for a reliable company?

Contact us:

URL: www.ipfarayand.com

E-Mail: info@ipfarayand.com

Address: Unit 7, No8, 1st Kosar St, Tohid Sq, Tehran, Iran

Tel : (98) - (21) - (66922542,66591346)

Fax: (98) - (21) - (66423489)